

**1 IDENTIFICATION OF SUBSTANCE / PREPARATION****1.1 Product details**

Trade name: P-Bond - Component B

**1.2 Application of the substance / preparation**

2-K Adhesive for professional application

**1.3 Supplier / manufacturer**Name: Paul Pietzschke, Chem. Techn. Fabrik  
Address: Rugenbarg 63A  
22848 Norderstedt (Germany)  
Tel.: +49-40-51 31 92-40  
Fax: +49-40-51 31 92-55  
e-mail: [mail@pietzschke.de](mailto:mail@pietzschke.de)Competent person e-mail: [angelika.torges@kft.de](mailto:angelika.torges@kft.de)

Information department: see supplier / manufacturer

Emergency information: Giftinformationszentrale Göttingen  
Tel.: +49-551-19240**2 HAZARD IDENTIFICATION****2.1 Hazard description**

Xi Irritant

N Dangerous for the environment

**Information pertaining to particular dangers for man and environment**

The product has to be labelled due to the calculation procedure of the "General Classification guideline for preparations of the EC" in the latest valid version.

R 36/38 Irritating to eyes and skin

R 43 May cause sensitisation by skin contact.

R 51/53 Toxic to aquatic organisms, may cause long-term adverse effects in the aquatic environment.

Contains epoxy constituents. See information supplied by the manufacturer.

**2.2 Classification system**

The classification was made according to the latest editions of the EU-lists, and expanded using company data and specialized literature.

**3 COMPOSITION / INFORMATION ON INGREDIENTS****3.1 Chemical characterization**

## • Description

Mixture of the substances listed below with non-hazardous additions.

**3.1 Dangerous Components**

| Chemical Name  | % Range | Symbol | R-Phrases*     | CAS        | EG / EINECS               |
|--|---------|--------|----------------|------------|---------------------------|
| Bisphenol A-(epichlorhydrin);epoxy resin number average molecular weight < = 700 | 50-100  | Xi, N; | 36/38-43-51/53 |            |                           |
| Phenol polymer with formaldehyde, glycidyl ether                                 | 2.5-10  | Xi, N; | 36/38-43-51/53 | 28064-14-4 |                           |
| oxirane,monol [C12-12-alkyloxy)methyl]derivates                                  | 2.5-10  | Xi,N;  | 38-43-51/53    | 68609-97-2 | 603-103-00-4<br>271-846-8 |
| Dibutyl tin carboxylate  | < 2.5   | Xn, Xi | 22-36/38-      | 3669-02-1  |                           |

\*For the wording of the listed risk phrases refer to section 16

#### **4 FIRST AID MEASURES**

##### **4.1 General information**

Symptoms of poisoning may occur even after several hours; therefore medical observation is suggested for at least 48 hours after the accident. Immediately remove any clothing soiled by the product.

##### **4.2 After Inhalation**

Supply fresh air. If required, provide artificial respiration. Keep patient warm. Consult doctor if symptoms persist. In case of unconsciousness, place patients on their side in a stable position for transportation.

##### **4.3 After skin contact**

Clean effected skin thoroughly with water and a mild cleansing agent. No residues shall remain on the skin. If skin irritation continues, consult a doctor.

##### **4.4 After eye contact**

Rinse the eyes with open eyelids for 10-15 minutes with water. Then consult a doctor or better an eye specialist.

##### **4.5 After swallowing**

Immediately consult a physician and show the packing, the label or this safety data sheet.

##### **4.6 Information for doctor**

Symptomatic treatment.

#### **5 FIRE FIGHTING MEASURES**

##### **5.1 Suitable extinguishing agents**

CO<sub>2</sub>, extinguishing powder or water spray. Fight larger fires with water spray or alcoholic resistant foam. Use fire fighting measures that suit the environment.

##### **5.2 Extinguishing agents unsuitable for safety reasons**

##### **5.3 Special hazards caused by the material, its products of combustion or resulting gases**

Dangerous decomposition product see chapter 10: stability and reactivity.

##### **5.4 Protective equipment**

Wear self-contained respiratory protective device.

##### **5.5 Additional Information**

Dispose of fire debris and contaminated fire fighting water in accordance with official regulations. Collect contaminated fire fighting water separately. It must not enter the sewage system.

#### **6 ACCIDENTAL RELEASE MEASURES**

##### **6.1 Person-related safety precautions**

Wear protective clothing. Keep unprotected persons away. Ensure adequate ventilation. Use respiratory protective device against the effects of fumes/dust/aerosol.

##### **6.2 Measures for environmental protection**

Do not allow product to reach sewage system or any water course. Inform respective authorities in case of seepage into water course or sewage system. Do not allow to penetrate the ground/soil.

##### **6.3 Measures for cleaning / collecting**

Absorb with liquid-binding material (sand, diatomite, acid binders, Universal binders, sawdust). Send for recovery or disposal in suitable receptacles. Dispose contaminated material as waste according to item 13.

**7 HANDLING AND STORAGE****7.1 Handling**

- Information for safe handling

Ensure good ventilation / exhaustion at the workplace. Restrict the quantity stored at the work place. Avoid inhalation of vapours. Avoid contact with eyes and skin.

- Information about protection against explosions and fires

No special measures required.

**7.1 Storage**

- Requirements to be met by storerooms and receptacles

Store container tightly sealed at a cool and dry place with sufficient ventilation. Prevent any seepage into the ground. Provide floor trough without outlet.

- Information about storage in one common storage facility

- Further information about storage conditions

Keep receptacle tightly sealed.

- Storage class

10 Combustible liquids

**8 EXPOSURE CONTROLS AND PERSONAL PROTECTION**

- Additional information about design of technical systems

No further data; see item 7.

**8.1 Components with limit values that require monitoring at the workplace**

The product does not contain any relevant quantities of materials with critical values that have to be monitored at the workplace.

- Additional Information

The lists that were valid during the creation were used as basis.

**8.1 Personal protective equipment****8.1.1 General protective and hygienic measures**

The usual precautionary measures should be adhered to when handling chemicals. Do not eat or drink while working. Keep away from foodstuffs, beverages and feed. Immediately remove all soiled and contaminated clothing. Wash hands before breaks and at the end of work. Avoid contact with the eyes and skin. Provide eye bath.

**8.1.2 Breathing equipment**

Not necessary if room is well-ventilated. Use suitable respiratory protective device in case of insufficient ventilation. In case of brief exposure or low pollution use respiratory filter device. In case of intensive or longer exposure use respiratory protective device that is independent of circulating air. Short term filter device: Filter A.

**8.1.3 Protection of hands**

Chemical resistant gloves. The glove material has to be impermeable and resistant to the product / the substance / the preparation. Selection of the glove material on consideration of the penetration times, rates of diffusion and the degradation. After use of gloves apply skin-cleaning agents and skin cosmetics.

- Material of gloves

The selection of suitable depends upon the material, and also upon the quality of the gloves. The degree of protection will vary from manufacturer to manufacturer. As the product is a preparation of several substances, the resistance of the glove material can not be calculated in advance and has therefore to be checked prior to the application.

- Penetration time of glove material

The exact break-through time has to be found out by the manufacturer of the protective gloves and has to be observed.

**8.1.1 Eye protection**

Tightly sealed goggles.

**8.1.2 Body protection**

Protective work clothing.

**9 PHYSICAL AND CHEMICAL PROPERTIES**

|   |   |  |                       |
|---|---|--|-----------------------|
| Form.....                                   | : | Fluid  |                       |
| Colour.....                                 | : | Black  |                       |
| Odour.....                                  | : | Characteristic                               |                       |
| pH-Value.....                               | : |  |                       |
| Boiling Point / Range.....                  | : | undetermined                                 | °C                    |
| Melting Point / Range.....                  | : | undetermined                                 | °C                    |
| Flash Point.....                            | : | 225°C  |                       |
| Ignition Temperature.....                   | : | 300°C  |                       |
| Self Ignition.....                          | : | Product is not self-igniting                 |                       |
| Danger of explosion.....                    | : | Product does not present an explosion hazard |                       |
| Lower Explosion Limit.....                  | : | % (Vol)                                      |                       |
| Upper Explosion Limit.....                  | : | % (Vol)                                      |                       |
| Vapour Pressure.....                        | : | hPa at 20°C                                  |                       |
| Density.....                                | : | at 20° C                                     | 1.59g/cm <sup>3</sup> |
| Solubility.....                             | : |  |                       |
| Solubility in / miscibility with water..... | : | Not determined                               | mg/l                  |
| Viscosity.....                              | : |  |                       |
| dynamic.....                                | : | at 20° C                                     | 2 mPas                |

- Additional information

**10 STABILITY AND REACTIVITY****10.1 Thermal decomposition / conditions to be avoided**

Dangerous polymerization ( exothermic reaction) upon contact of more than 0,5 kg of this product with aliphatic amines.

**10.2 Materials to be avoided**

Oxidants; Acids; Bases

**10.3 Dangerous products of decomposition**

Tin oxides

**10.4 Dangerous reactions**

No dangerous reactions known

**11 TOXICOLOGIC INFORMATION****11.1 Acute toxicity**

- LD/LC50 values that are relevant for classification  
reaction product: Bisphenol A-(epichlorhydrin); epoxy resin (number average molecular weight < = 700)  
Oral: LD50: 5000 mg/kg (rat)

**11.1 Primary irritating effect**

- on the skin  
Irritating to skin and mucous membranes.
- on the eyes  
Irritating effect.

**11.1 Sensitization**

Sensitization possible through skin contact.

**11.2 Additional toxicological information**

The product shows the following dangers according to the calculation method of the General EU Classification Guidelines for Preparations as issued in the latest version: Harmful; Irritant.

After swallowing: irritants of mucous membranes in the mouth, pharynx, oesophagus and gastrointestinal tract.

**11.3 Sensitisation**

May cause sensitisation by skin contact.

**12 ECOLOGICAL INFORMATION****12.1 Ecotoxicological effects****12.1.1 Aquatic toxicity**

reaction product: Bisphenol A-(epichlorhydrin); epoxy resin (number average molecular weight < = 700)

EC50: 3.3 mg / l (Daphnia magna)

LC50: 7.3. mg/l (Oncorhynchus mykiss)

- Remark

Toxic for fish

- General Notes

Water hazard class 2 (German Regulation) (Self-assessment): hazardous for water. According to appendix 4 of VwVwS dated 17.05.1999 (German regulation) Do not allow product to reach ground water, water course or sewage system. Danger to drinking water if even small quantities leak into the ground. Also poisonous for fish and plankton in water bodies. Toxic for aquatic organisms.

**12.1 Mobility****12.2 Persistence and degradability****12.3 Bioaccumulation and behaviour in environmental compartments****12.4 Further ecological information****13 DISPOSAL CONSIDERATIONS****13.1 Product**

- Recommendation

Must not be disposed of together with household garbage. Do not allow product to reach sewage system.

### 13.1 Uncleaned packaging

- Recommendation

Disposal must be made according to official regulations.

## 14 TRANSPORT INFORMATION

### 14.1 Land Transport (GGVS/E, ADR and RID)

Classification..... :  
 Class..... : 9 (M6) Miscellaneous dangerous substances and article  
 Danger Code (Kemler)..... : 90  
 Packaging Group..... : III  
 Label..... : 9  
 UN-Number..... : 3082  
 Description of goods..... : 3082 ENVIRONMENTALLY HAZARDOUS SUBSTANCE;  
 ..... LIQUID,N.O.S. (Bisphenol A-(epichlorhydrin);  
 ..... epoxy resin (average molecular weight < 700) )

- Remarks

Limited quantity: 5 l per inner packaging, 30 kg gross per packaging unit.

Multilateral Agreement M 195: By derogation from the last sentence of 1.2.4.2.1, when substances of Class 9 which are not subject to the IMDG Code or the ICAO Technical Instructions are carried in a transport chain including maritime of air carriage, packages, containers, portable tanks and tank-containers containing such substances need not to meet the requirements for packing, mixed packing, marking and labelling of packages or placarding of ADR.

Valid until: 30.06.2009

Signed by: Great Britain, Belgium, Germany, Norway, Italy, Sweden and Denmark.

### 14.1 Maritime transport (GGVSee/IMDG-Code)

No hazardous good according to the regulation  
 Marine Pollutant : No

### 14.2 Air transport(ICAOTI/IATA-DGR)

No hazardous good according to the regulation.



### 14.3 Further transport information

Deutsche Post..... :

## 15 REGULATIONS

The product has been classified and marked in accordance with EU directives / Ordinance on Hazardous Materials

### 15.1 Markings according to EU guidelines

| Code letter  | Hazard designation             |
|--|--------------------------------|
|  Xi | Irritant                       |
|  N  | Dangerous for the environment. |

- Hazard determining components of labelling

Reactions product: Bisphenol A-(epichlorhydrin); epoxy resin (number average molecular weight < = 700)

Phenol polymer with formaldehyde, glycidyl ether; oxirane, mono [ (C12-14-alkyloxy)methyl] derivatives

### 15.1 Risk Phrases

| Risk Phrases | Wording   |
|--------------|---|
| 36/38        | Irritating to eyes and skin.  |
| 43           | May cause sensitisation by skin contact.  |
| 51/53        | Toxic to aquatic organisms, may cause long-term adverse effects in the aquatic environment. |

| Safety Phrases | Wording  |
|----------------|--|
| 24             | Avoid contact with skin.   |
| 26             | In case of contact with eyes, rinse immediately with plenty of water and seek medical advice |
| 28             | After contact with skin, wash immediately with plenty of water                               |
| 37             | Wear suitable gloves.  |
| 61             | Avoid release to the environment. Refer to special instructions/safety data sheets.          |

**15.2 Special labelling of certain preparations**

Contains epoxy constituents. See information supplied by the manufacturer.

**15.3 National regulations****15.3.1 Information about limitation of use**

Restrictions on juvenile employment must be observed. Employment restrictions concerning pregnant and lactating women must be observed.

**15.3.2 Water hazard class**

Water hazard class 2 ( Self-assessment): hazardous for water.

**16 OTHER INFORMATION**

This information is based on our present knowledge. However, this shall not constitute a guarantee for any specific product features and shall not establish a legally valid contractual relationship.

**16.1 Relevant R-phrases**

as mentioned in chapter 3 of the safety data sheet ( not relevant for labelling of the product)

22 Harmful if swallowed

36/38 Irritating to eyes and skin.

38 Irritating to skin.

43 May cause sensitisation by skin contact.

48/22 Harmful:danger of serious damage to health by prolonged exposure if swallowed.

51/53 Toxic to aquatic organisms, may cause long-term adverse effects in the aquatic environment.

**16.2 Department issuing MSDS**

KFT-Chemieservice

Marienstr. 3

64347 Griesheim (Germany)

Tel.: +49 6155 823241

Fax: +49 6155 823246

Contact: Angelika Torges

## VEJLEDNING TIL BEARBEJDNING

### Forberedelse af overfladerne

De overflader, der skal klæbes, skal være rene, tørre og fedtfri. Voksbehandlede overflader bør renses/affedtes grundigt forinden.

### Påføring af klæberens

Fugt en blød, frugfri klud med P-Bond-klæberens og tør omhyggeligt underlaget, som holderne skal klæbes fast på, af med kluden.

Hvis der bruges mørke holdere (af polyurethan) skal man desuden også tørre de klæbende overflader på disse holdere af med klæberens. På **hvide** holdere (af ABS-kunststof) skal de klæbende overflader derimod **ikke** forbehandles med klæberens.

Lad klæberensen ventilere i 30 minutter.

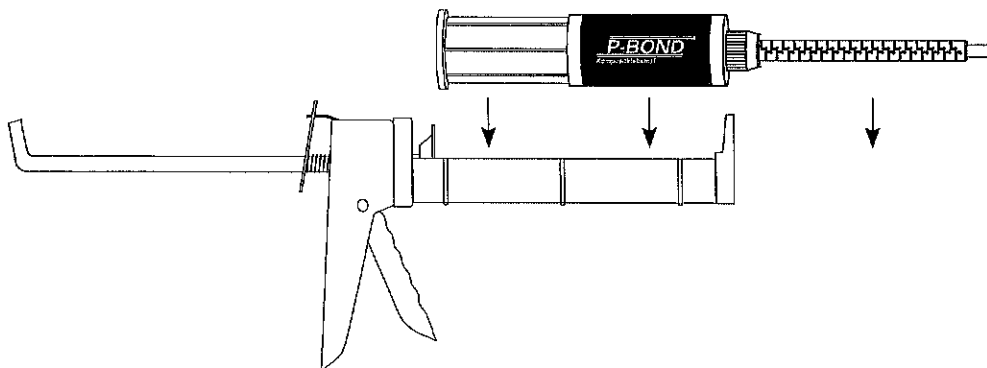
### Forberedelse af 2-komponent-patronen

Den vedlagte patron indeholder et sejlastisk 2-komponent-klæbemiddel med særlig kraftig klæbeevne. Af tekniske årsager kan påfyldningsniveauet for de to komponenter være en smule forskelligt, hvorfor det først skal udlignes. Dette gøres ved først at fjerne skruehætten på spidsen af patronen. Sæt patronen med den vedlagte adapter (uden statisk mixer!) ind i en gængs patronpistol og ret spidsen af patronen mod et stykke pap el. lign. Begynd forsigtigt at presse klæbemidlet ud, indtil der kommer en jævn mængde af begge komponenter ud af spidsen, tør den udpressede stribe klæbemiddel af og smid den væk. Skru derefter den statiske mixer på patronen.

### Påføring af klæbemidlet og sammenklæbning

Smør klæbemiddel på undersiden af den del der skal monteres (spoiler, kunststofhjørne, holder etc.) i et jævnt lag ved hjælp af pistolen. Sæt den del, der skal monteres fast på underlaget med let tryk i løbet af 10 minutter og fastgør den evt., fx med et stykke klæbebånd.

Det sammenklæbte sted bør tidligst udsættes for belastning efter 24 timer.



### P-Bond klæbemiddel



Lokalirriterende

Irriterer øjnene og huden. Kan give overfølsomhed ved kontakt med huden. Kommer stof på huden vaskes straks med store mængder vand og sæbe. Brug egnede beskyttelseshandsker og -briller/ansigtsskærm under arbejdet. Indeholder epoxyforbindelser. Se fabrikantens oplysninger. Kemisk betegnelse: Reaktionsprodukt: Bisphenol A-(epichlorhydrin); epoxyharpiks middelmolekylvægt  $\leq 700$ )

### NautiChem klæberens



Meget brandfarlig

Meget brandfarlig. Irriterer huden. Giftig for organismer, der lever i vand; kan forårsage uønskede langtidsvirkninger i vandmiljøet. Farlig; kan give lungeskade ved indtagelse. Dampene kan give sløvhed og svimmelhed.



Sundhedsskadelig

Emballagen skal opbevares på et godt ventileret sted. Holdes væk fra antændelseskilder - Rygning forbudt. Undgå kontakt med øjnene. Brug særligt arbejdstøj, egnede beskyttelseshandsker og -briller/ansigtsskærm. Ved indtagelse, undgå at fremprovokere opkastning: kontakt omgående læge og vis denne beholder eller etiket.



Miljøfarlig



## USER INSTRUCTIONS

### Surface Preparation

All surfaces must be dry and free from grease and oil. Waxed surfaces must be cleaned/degreased thoroughly.

### Application of the wash primer

Wet a lint-free cloth with NautiChem Wash Primer and rub the surface onto which the mounting devices are to be glued.

When using the **dark** type of mounting devices (Polyurethane) rub also the contact surfaces of these devices with the wash primer. However, when using the **white** type of mounting devices (ABS) their contact surfaces should **not** be treated with the primer.

Caution: Allow the wash primer to dry for approx. 30 minutes.

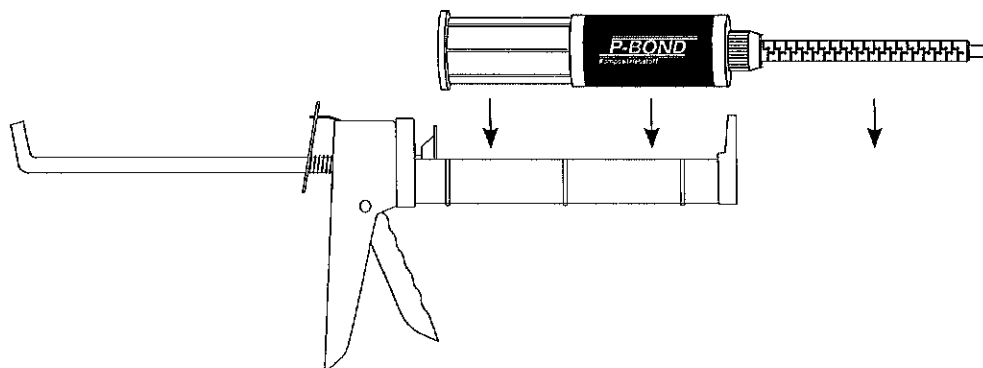
### Preparation of the 2-component cartridge

The cartridge contains a high strength, flexible and permanent 2-component-adhesive. The filling levels of the two components might differ slightly and need to be equalized first. Remove the screw-cap from the cartridge and insert the cartridge with the black adapter enclosed (but without the mixing nozzle) into a caulking gun. Point the tip of the cartridge on to e.g. a piece of cardboard. Press the gun gently until both components flow out evenly. Wipe off and discard the adhesive extruded. Screw the mixing nozzle on to the tip of the cartridge.

### Application of the adhesive

Spread the adhesive with the caulking gun evenly on the contact surfaces at the under-side of the mounting devices. Put the device into place within 10 minutes, press it down gently and keep it fixed, e.g. by means of adhesive tape.

Allow to cure for 24 hours minimum.



#### **P-Bond Adhesive**



Irritant

Irritating to eyes and skin. May cause sensitization by skin contact.

After contact with skin, wash immediately with plenty of water and soap. Wear suitable gloves and eye/face protection.

Contains epoxy constituents. See information supplied by the manufacturer.

Reaction product: Bisphenol A-(epichlorohydrin); epoxy resin (number average molecular weight 700)

#### **NautiChem Wash Primer**



Highly flammable

Highly flammable. Irritating to skin. Toxic to aquatic organisms, may cause long-term adverse effects in the aquatic environment. Harmful: may cause lung damage if swallowed. Vapours may cause drowsiness and dizziness.



Harmful

Keep container in a well-ventilated place. Keep away from sources of ignition - No smoking. Avoid contact with eyes. Wear suitable protective clothing, gloves and eye/face protection. If swallowed, do not induce vomiting; seek medical advice immediately and show this container or label.



Dangerous for the environment

## CONSEILS DE TRAITEMENT

### Préparation des surfaces

Les surfaces à coller doivent être propres, sèches et sans trace de graisse. Les surfaces cirées devront être préalablement nettoyées avec soin et dégraissées.

### Pose du nettoyant adhérent

Humidifiez un chiffon doux et sans peluches avec le nettoyant adhérent P-Bond et frottez soigneusement avec ce chiffon la surface sur laquelle les supports doivent être collés.

Il sera nécessaire de frotter également les surfaces d'adhérence des supports en cas d'utilisation de supports foncés (en polyuréthane) avec le nettoyant adhérent. Par contre, les supports **blancs** (en matière plastique ABS) ne doivent **pas** être prétraités avec le nettoyant adhérent.

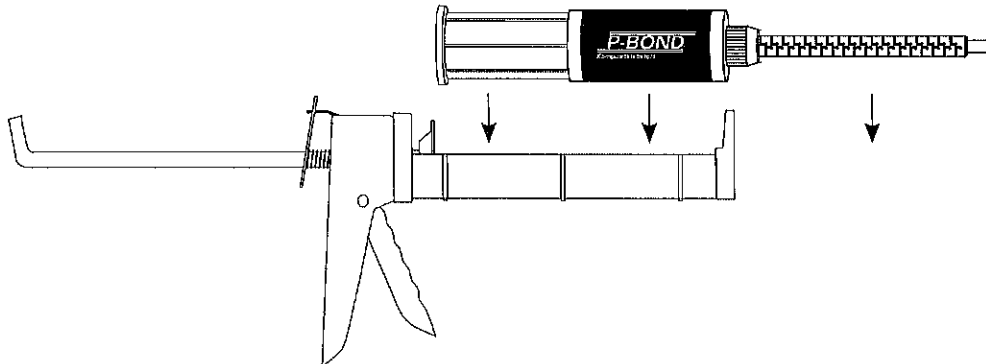
Laisser prendre le nettoyant adhérent pendant 30 minutes.

### Préparation de la cartouche à 2 composants

La cartouche jointe contient un adhésif à pouvoir d'adhésion particulièrement fort à 2 composants - durcisseur et élastique. Les niveaux de remplissage des deux composants peuvent légèrement varier, pour des raisons techniques, et doivent être d'abord équilibrés. Enlevez dans ce but le bouchon à vis de la pointe de la cartouche, placez la cartouche avec l'adaptateur joint à la fourniture (sans mixeur statique) dans un pistolet et dirigez la pointe de la cartouche sur un morceau de carton ou analogue. Commencez doucement à presser jusqu'à ce que les deux composants de l'adhésif sortent par la pointe de manière uniforme, nettoyez alors la pointe en frottant l'adhésif qui est sorti puis jetez-le. Vissez ensuite le mixeur statique sur la cartouche.

### Pose de l'adhésif et collage

Posez l'adhésif de manière uniforme à l'aide du pistolet sur le dessous de l'élément à monter (spoiler, coin en matière plastique, support, etc.). Posez l'élément à monter dans les 10 minutes sur son support puis fixez-le le cas échéant avec du ruban adhésif par exemple. Evitez toute contrainte du collage avant 24 heures.



| P-Bond Adhésif |          |  |
|----------------|----------|--|
|                | Irritant | <p>Irritant pour les yeux et la peau. Peut entraîner une sensibilisation par contact avec la peau.</p> <p>Eviter le contact avec la peau. Après contact avec la peau, se laver, immédiatement et abondamment avec de l'eau et du savon. Porter des gants appropriés et un appareil de protection des yeux/du visage.</p> <p>Contient des constituants époxydiques. Voir l'information fournie par le fabricant.<br/>Produit de réaction : bisphénol A -épichlorohydrine ; résine époxyde (poids moléculaire moyen <math>\leq 700</math>)</p> |

| NautiChem nettoyant adhérent |                                |   |
|------------------------------|--------------------------------|---|
|                              | Facilement inflammable         | <p>Facilement inflammable. Irritant pour la peau. Toxique pour les organismes aquatiques, peut entraîner des effets néfastes à long terme pour l'environnement aquatique. Nocif: peut provoquer une atteinte des poumons en cas d'ingestion. L'inhalation de vapeurs peut provoquer somnolence et vertiges.</p> <p>Conservé le récipient dans un endroit bien ventilé. Conserver à l'écart de toute flamme ou source d'étincelles - Ne pas fumer. Éviter le contact avec les yeux. Porter un vêtement de protection approprié, des gants et un appareil de protection des yeux/du visage. En cas d'ingestion, ne pas faire vomir. Consulter immédiatement un médecin et lui montrer l'emballage ou l'étiquette.</p> |
|                              | Nocif                          |   |
|                              | Dangereux pour l'environnement |   |

## INSTRUCCIONES DE ELABORACIÓN

### Preparación de las superficies

Las superficies a pegar deben estar limpias, secas y desengrasadas. Las superficies enceradas deben limpiarse y desengrasarse a fondo previamente.

### Aplicación del limpiador de adhesión

Empape un paño suave y sin hilachas con limpiador de incrustaciones P-Bond y frote cuidadosamente la base en la que deben pegarse los soportes.

Si se utilizan soportes oscuros (de poliuretano) deben frotarse también adicionalmente las superficies a adherir de estos soportes con el limpiador de adhesión. Por el contrario, en los soportes **blancos** (de plástico ABS) las superficies a adherir **no** deben pretratarse con limpiador de adhesión.

Deje secar el limpiador de adhesión 30 minutos.

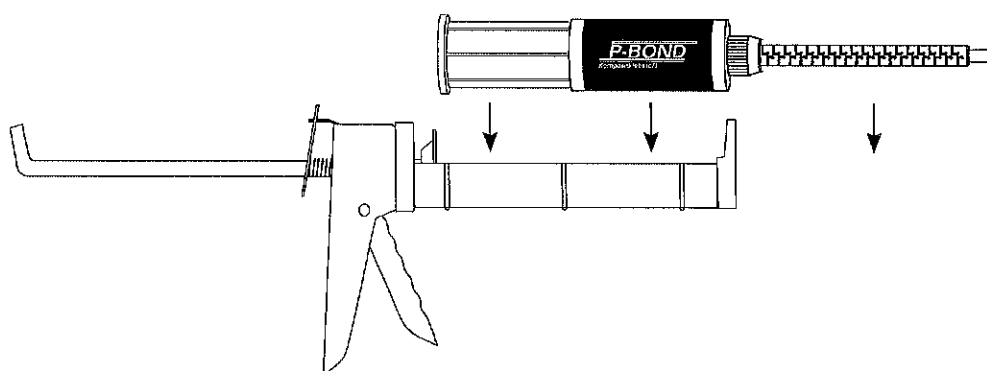
### Preparación del cartucho de 2 componentes

El cartucho interior contiene un adhesivo de 2 componentes especialmente viscoplástico y muy adherente. Los niveles de llenado de los dos componentes pueden ser ligeramente diferentes, por motivos técnicos, y en primer lugar deben igualarse. Para ello, en primer lugar quite el tapón roscado de la punta del cartucho, coloque el cartucho con el adaptador adjunto (sin mezclador estático) en una pistola para cartuchos corriente y dirija la punta del cartucho sobre un trozo de cartón o similar. Empiece a extrusionar con cuidado hasta que ambos componentes del adhesivo salgan uniformemente por la punta, quite el adhesivo que salga y deséchelo. A continuación, enrosque el mezclador estático en el cartucho.

### Aplicación del adhesivo y pegado

Aplique el adhesivo con la pistola extrusora uniformemente sobre parte inferior de la pieza a montar (alerón, esquina de plástico, soporte, etc.). Coloque la pieza a montar en un plazo de 10 minutos bajo una ligera presión sobre la base y fijela, por ejemplo, con un poco de cinta adhesiva, si procede.

La adhesión no debe someterse a esfuerzo antes de 24 horas.



#### **P-Bond Adhesivo**



Irritante

Irrita los ojos y la piel. Posibilidad de sensibilización en contacto con la piel.  
En caso de contacto con la piel, lávese inmediata y abundantemente con agua y jabón.  
Úsense guantes adecuados y protección para los ojos/la cara.  
Producto de reacción: bisfenol-A-epiclorhidrina resinas epoxi (peso molecular medio  $\leq 700$ )  
Contiene componentes epoxidicos. Ver información suministrada por el fabricante.



Fácilmente inflamable



Nocivo



Peligroso para el medio ambiente

Fácilmente inflamable. Irrita la piel. Tóxico para los organismos acuáticos, puede provocar a largo plazo efectos negativos en el medio ambiente acuático. Nocivo: si se ingiere puede causar daño pulmonar. La inhalación de vapores puede provocar somnolencia y vértigo.  
Consérvese el recipiente en lugar bien ventilado. Conservar alejado de toda llama o fuente de chispas - No fumar. Evítense el contacto con los ojos. Úsense indumentaria y guantes adecuados y protección para los ojos/la cara. En caso de ingestión no provocar el vómito: acúdase inmediatamente al médico y muéstresele la etiqueta o el envase.